

USA GB

Instruction Manual Searchlight morse

Voltage Supply: 12 - 24V DC \pm 30%
Consumption: 12 W

Housing:

Black elastic rubber, shock-resistant, non-corrosive, non-magnetic, under water.
Watertight, protection class: IP68

Standards

The LED Searchlight is in compliance with following standards:

- IMO Requirements SOLAS III/4 34 and X/3
- LSA Code Chapter IV, 4.4.8.29 and 5.1.2.2.11,
- MSC 81(70), Part 1.13
Life-saving appliances

Assembly instructions

The portable lamp can be optionally attached to the clamp bracket 8331300700 or the holder 8331300200.

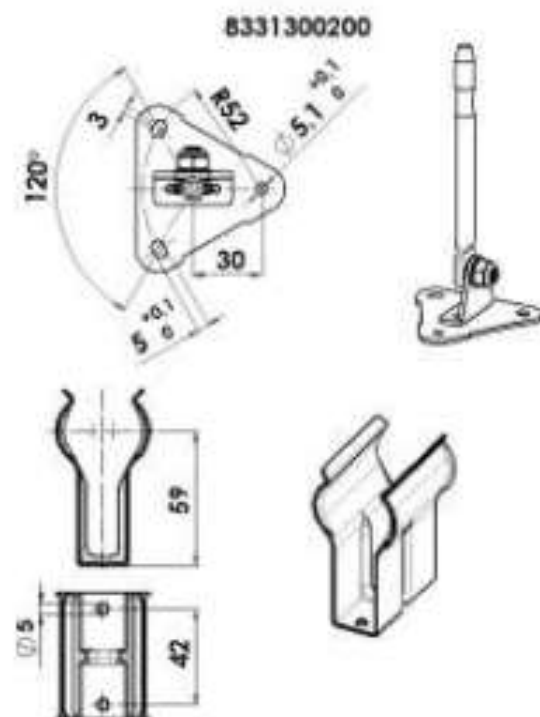
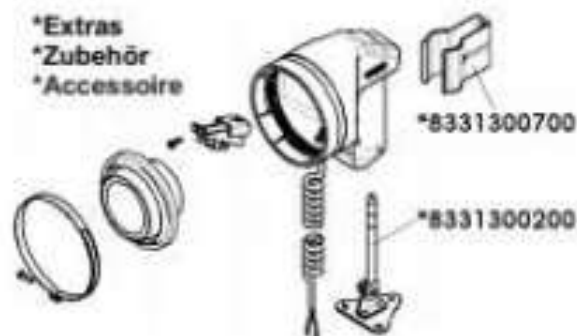
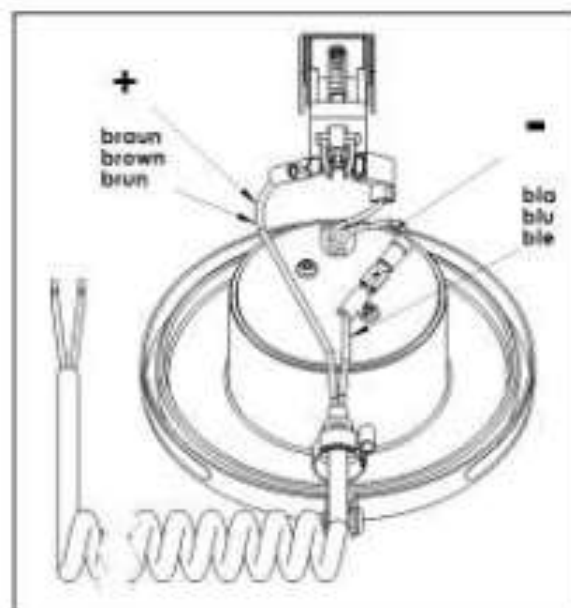
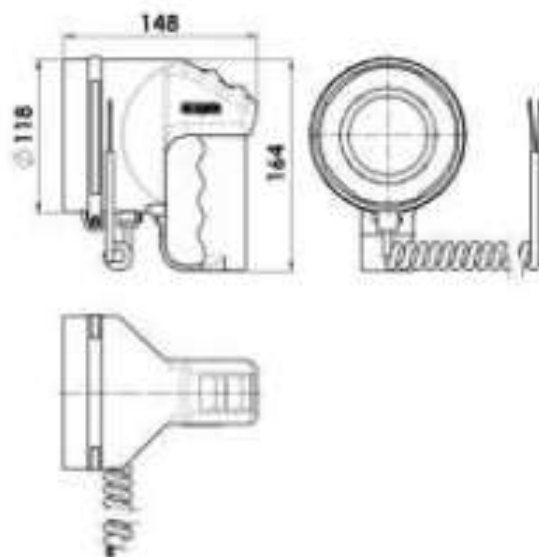
The brackets are not included and must be ordered separately.

You can use standard bolts M4 with a flat bearing surface below the head for fastening the floodlight with the brackets 8331300700 and 8331300200 (e.g. filler head bolts or hexagon bolts). As the brackets out of seawater-resistant, stainless steel (1.4404) are, it is recommended that the fixing material (screws, nuts and washers) also out of high quality, marine grade stainless steel is!

Electrical installation

The floodlight is fitted with cables and ready for use. Electrical installation to be carried out in accordance with the technical regulations.

The corresponding electrical circuits must be de-energized before starting work.



After the installation of spare parts

the LED module so far pressed into the rubber case that the four stop edges press the aluminum housing. It is to ensure that the large clamp band and the hose clamp for spiral cord, are again mounted properly.